

## DPW/DPF type electromagnetic pressure regulating valve



### ◇ Overview said

The DPW and DPF type electromagnetic pressure regulating valves are one of the automatic control components. They are two-position four-way valves that use two electromagnets to directly act to realize the oil path switching oil flow direction. It is widely used as a control unit for hydraulic systems in water, thermal power plants and other industrial sectors, and as a pilot valve for large flow reversing valves.

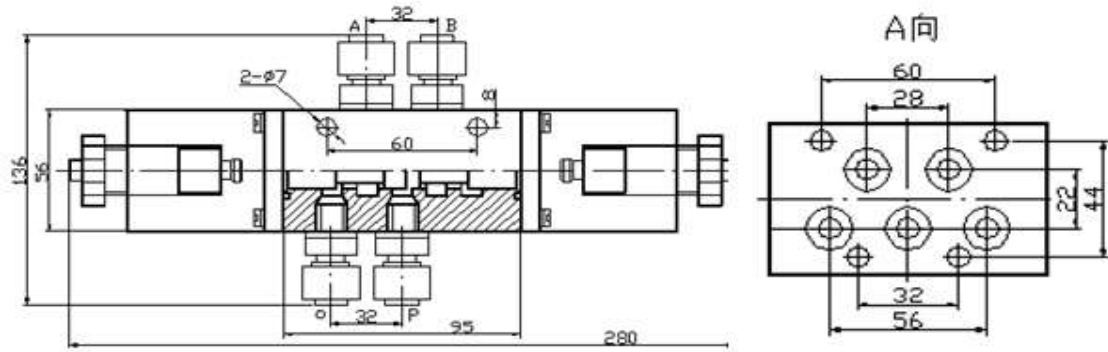
### ◇ special point

The valve has the advantages of simple structure, safety, reliability, and low power consumption. It is equipped with a mechanical holding mechanism, which does not need to leak. It adopts a wet double electromagnet structure, which can keep the working state after the coil is energized instantaneously. When the oil circuit is switched, the oil pressure pushes the stroke switch to indicate the current working state of the valve, wherein the contact capacity is 1000VA . With manual mechanism, manual switching is possible.

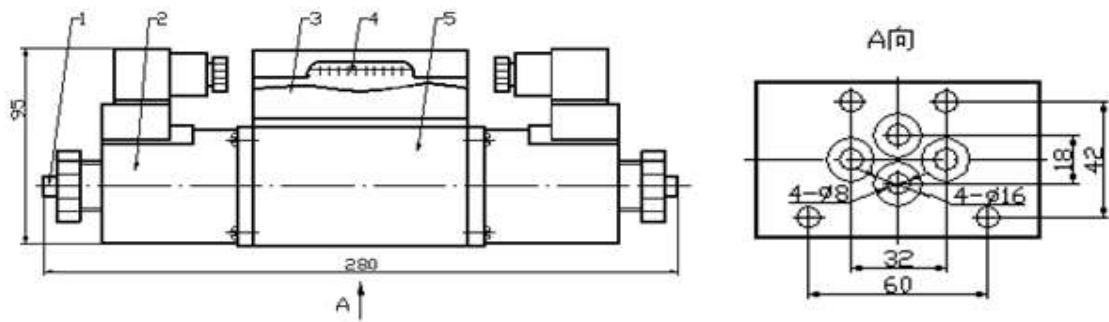
### ◇ Main technical parameters

- 1, working pressure: 2.5 ~ 6.3MPa
- 2, nominal diameter: 8mm , 10mm , 15mm , 20mm , 25mm
3. Connection method: standard pipe joint connection ( G ) or plate connection ( B ), DPF type connection mode: plate connection
4. Working medium: oil, internal leakage  $\leq 10\text{ml/min}$  .
5. Rated voltage: DC24V , 48V , 110V , 220V , AC220V .
- 6, working mode: instant power, long-term power or manual operation.
7. Medium temperature: 0~60 ° C.
- 8, electromagnet power consumption: 25 ~ 35W.

## ◇外形及安装尺寸



DPW 型管式连接 (G)



DPF 型电磁配压阀

## ◇ 型号说明

