

## YSX type oil-water signal device



### ◇ Overview and characteristics

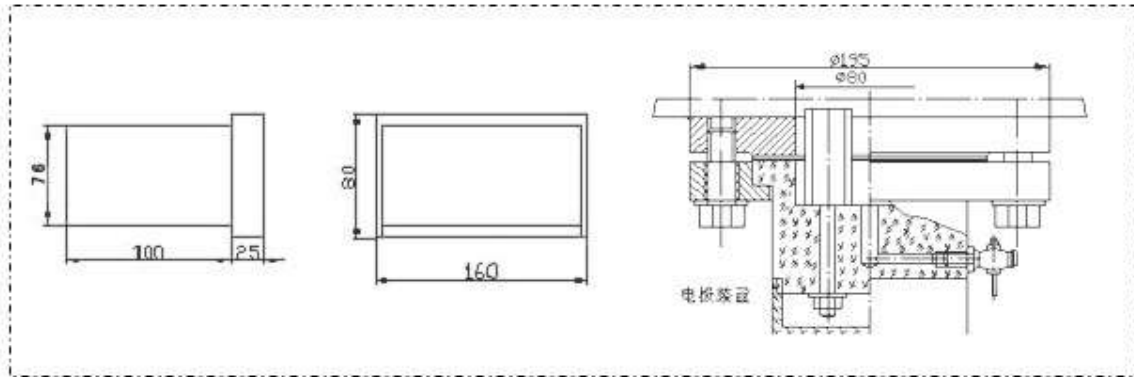
The YSX type oil-storage signal device is suitable for detecting signal components of the water at the bottom of the tank. The device is composed of an electrode device and a secondary signal circuit component. The welding flange of the electrode assembly is welded at the lowest point on the bottom of the tank, and the corresponding portion of the tank is located in the middle 80 holes. When water is mixed into the fuel tank, since the specific gravity of the water is greater than that of the oil, that is, in the water electrode device, when the water does not pass the electrode, the circuit module sends a signal. The operator can drain the water through the straight mouth switch.

### ◇ Main technical parameters

1. Use power supply: AC220V  $\pm$  10 % 50Hz ;
- 2 , the signal output is controlled by two sets of normally closed to normally open and normally open to normally closed relay, contact capacity AC220V 3A ;
3. The power supply of the device is working normally, and the panel power light indicates that the green light is on.
- 4 , the water signal control action panel red light, from two sets of normally closed to normally open and normally open to normally closed work.
- 5 , the power is not more than 3 . 5W

## ◇ 结构与安装尺寸

- 安装尺寸如下图
- 仪表采用标准槽安装方式
- 仪表安装盘开孔尺寸： $76 \times 154\text{mm}$
- 本仪表从盘孔插入即自动固定
- 仪表外形尺寸： $160 \times 80 \times 100\text{mm}$



## ◇ 安装与使用

- 电极装置安装于油箱底部最低处，二次发信号元件安装在其它方便适宜之处，两者之间用二芯电线连接。电极装置中有四个电极可分两组并联使用或仅用其中两个电极。
- 电极装置安装完毕后，在油箱注油之前，必须首先在电极中内注入水，以保证电极内表面与水的良好接触。